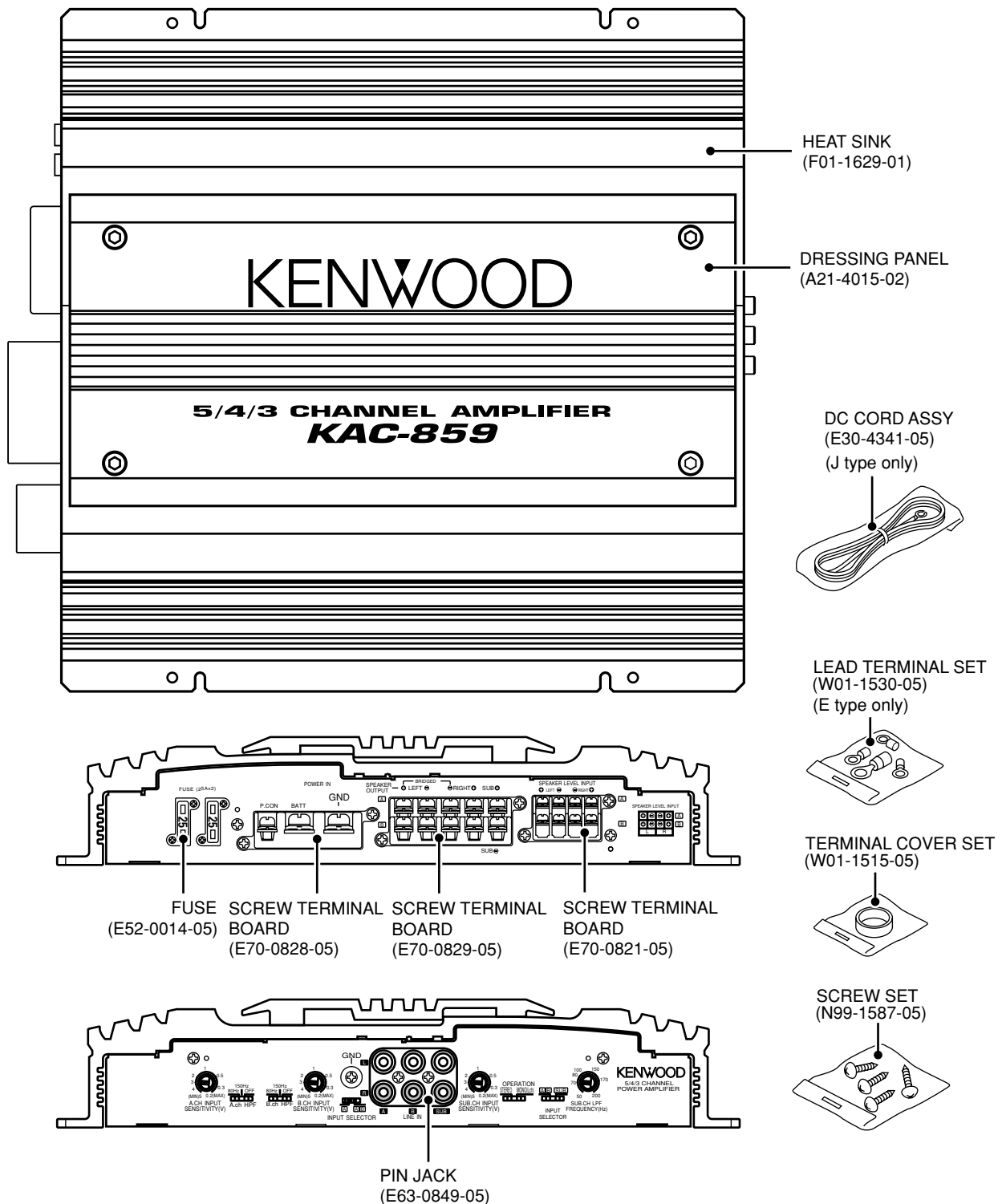


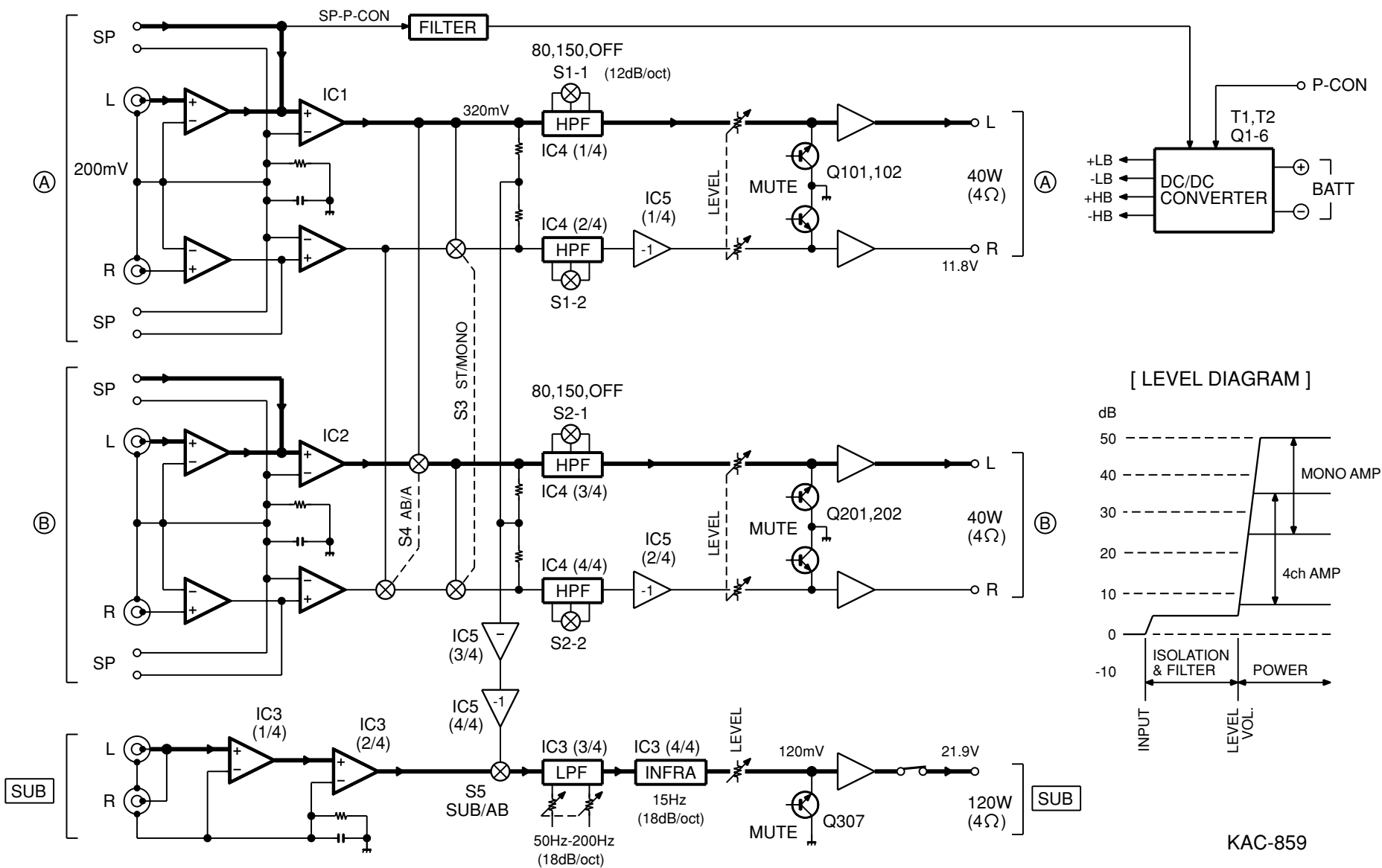
KAC-859

SERVICE MANUAL

© 2000-5 PRINTED IN KOREA
B51-7626-00 (K) 3547



5 CH AMP. BLOCK DIAGRAM



KAC-859

CIRCUIT DESCRIPTION

SP P-CON Switching Circuit

When the SP output from the head unit is connected to SP IN, the power can be switched ON/OFF based on the DC voltage of the SP output.

However, As certain head unit models output DC permanently or generate a click during switching OFF, it is required to provide the capability of previous P-CON switching.

A circuit which can perform the switching without using a switch is described below.

This circuit performs switching by inhibiting the operation of the S-P-CON circuit when a voltage is applied to the P-CON pin.

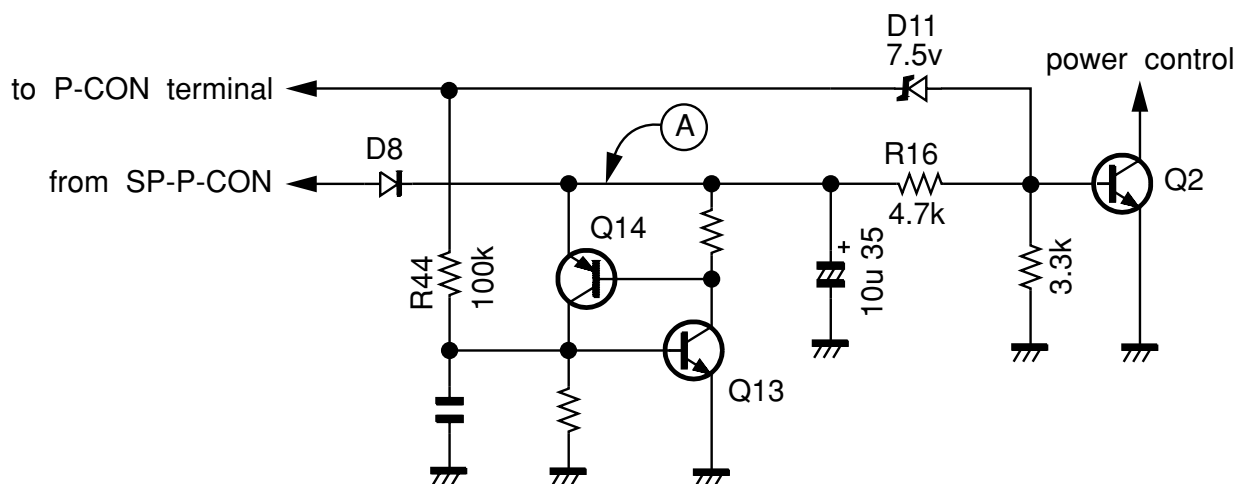
Circuit operation description When the head unit is connected to SP-INN, the DC component in the SP output turns Q2 ON through D8 and R16.

When a voltage is applied to the P-CON pin under this condition, Q13 is turned ON via R44, positive feedback is applied by combination of Q13 and Q14, Q13 and Q14 are held at ON, so the voltage at point (A) is almost 0V and the SP-P-CON circuit is not activated.

This circuit holds the ON status while the DC voltage from SP is present.

Therefore, in this condition, the P-CON circuit continues functioning.

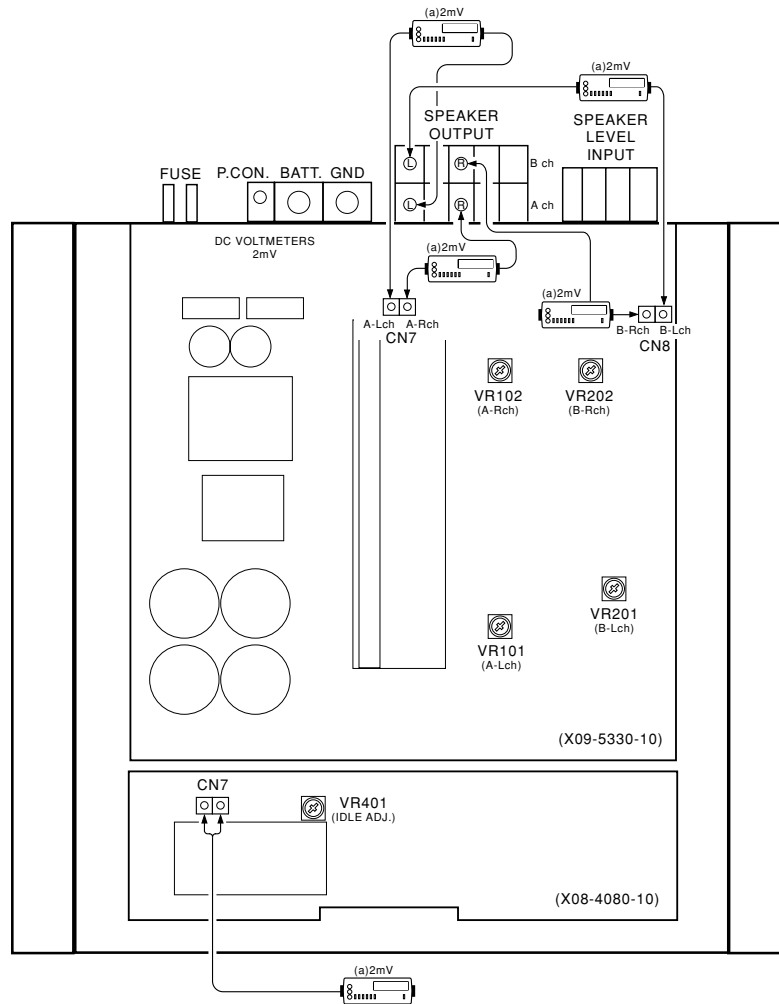
To cancel the functioning, the voltage at the SP-IN pin should go 0V.



ADJUSTMENT

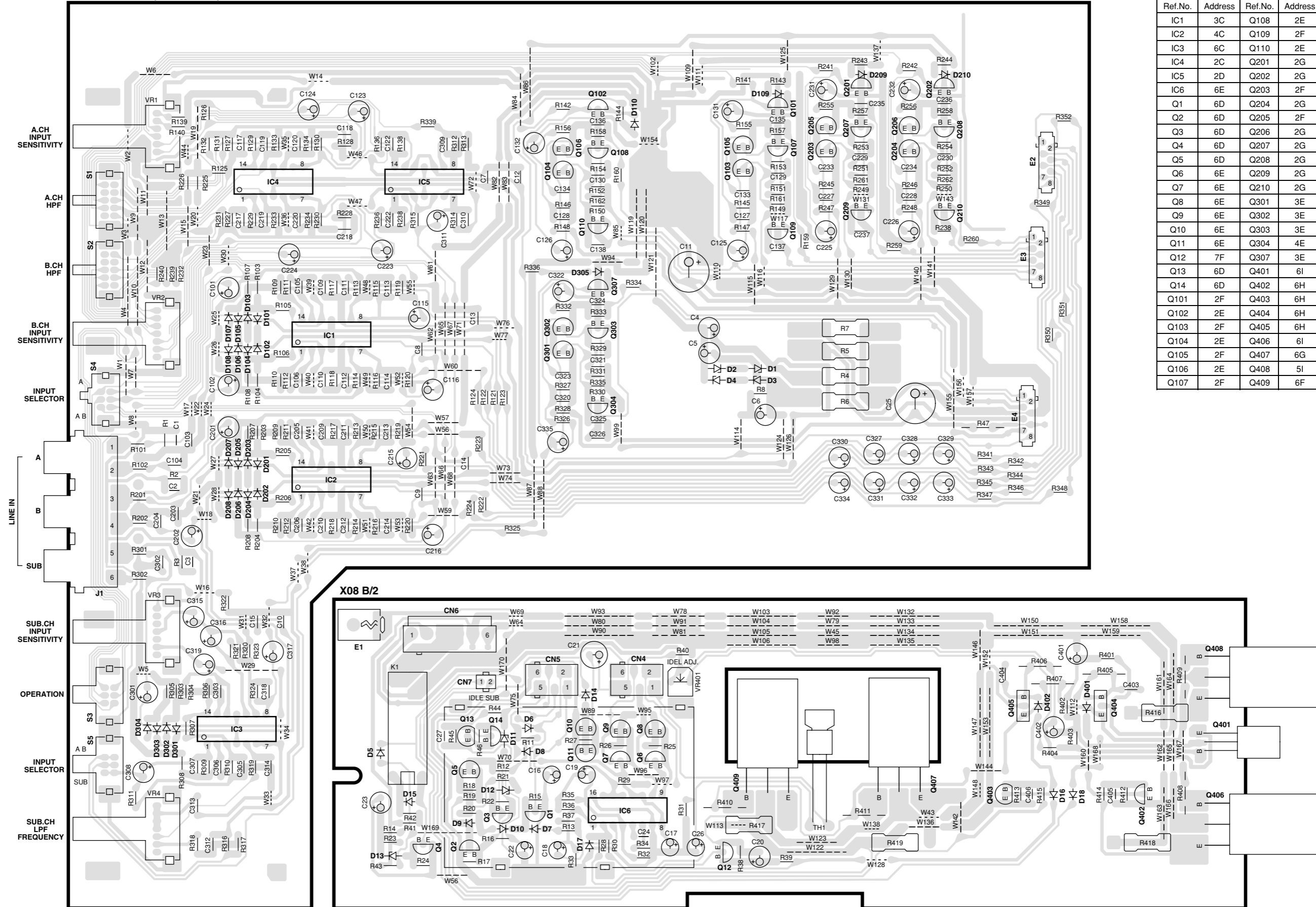
ADJUSTMENT

No	ITEM	INPUT SETTINGS	OUTPUT SETTINGS	TUNER (RECEIVER) SETTINGS	ALIGNMENT POINTS	ALIGN FOR	FIG.
Connect a cassette receiver or other receiver.							
1	IDLE CURRENT	—	Connect a DC voltmeter to CN7/CN8 and J4(SP.OUT, L+/R-) in X09-5330-10 UNIT	Volume : 0	(A) VR101(Lch) VR102(Rch) (B) VR201(Lch) VR202(Rch)	After sufficient aging adjust to 2.0mV	(a)
2	IDLE CURRENT	—	Connect a DC voltmeter to CN7 in X08-4080-10 UNIT	Volume : 0	(SUB) VR401	After sufficient aging adjust to 2.0mV	(a)



PC BOARD (Component side view)

PREAMPLIFIER UNIT
X08-4080-10 A/2 (J74-1031-11)



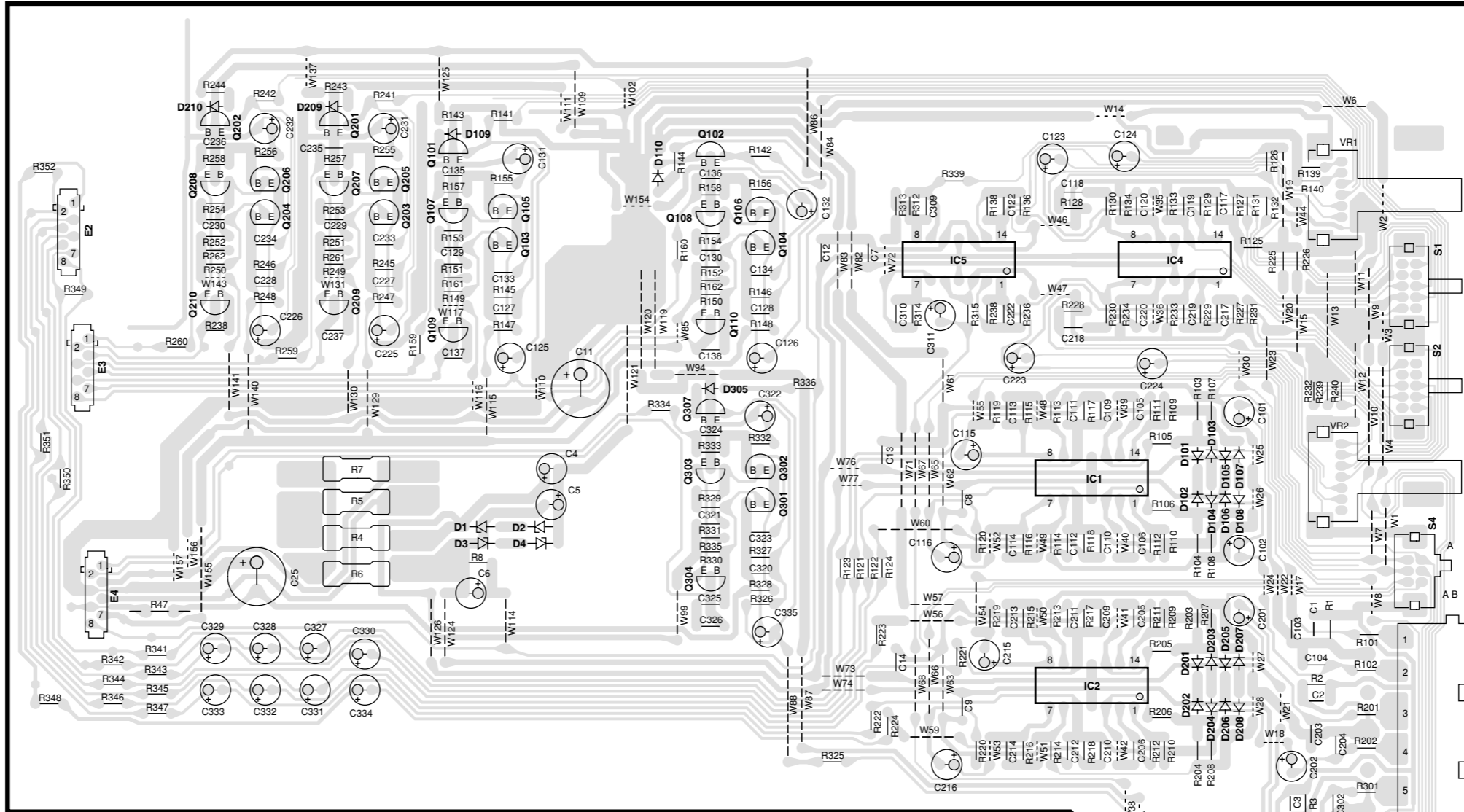
Ref.No.	Address	Ref.No.	Address
IC1	3C	Q108	2E
IC2	4C	Q109	2F
IC3	6C	Q110	2E
IC4	2C	Q201	2G
IC5	2D	Q202	2G
IC6	6E	Q203	2F
Q1	6D	Q204	2G
Q2	6D	Q205	2F
Q3	6D	Q206	2G
Q4	6D	Q207	2G
Q5	6D	Q208	2G
Q6	6E	Q209	2G
Q7	6E	Q210	2G
Q8	6E	Q301	3E
Q9	6E	Q302	3E
Q10	6E	Q303	3E
Q11	6E	Q304	4E
Q12	7F	Q307	3E
Q13	6D	Q401	6I
Q14	6D	Q402	6H
Q101	2F	Q403	6H
Q102	2E	Q404	6H
Q103	2F	Q405	6H
Q104	2E	Q406	6I
Q105	2F	Q407	6G
Q106	2E	Q408	5I
Q107	2F	Q409	6F

Refer to the schematic diagram for the value of resistors and capacitors.

PC BOARD (Foil side view)

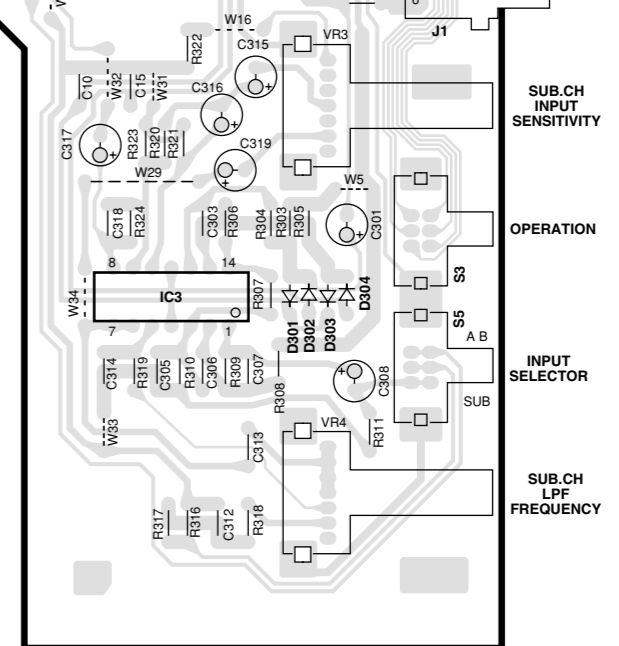
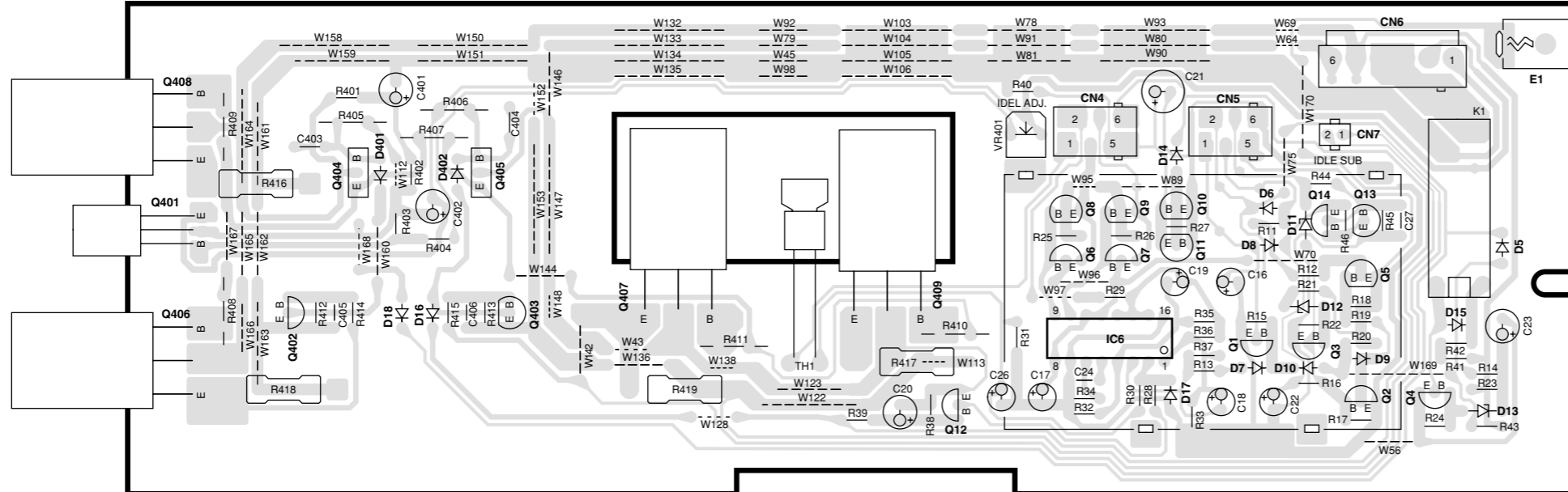
PREAMPLIFIER UNIT X08-4080-10 A/2 (J74-1031-11)

Ref.No.	Address	Ref.No.	Address
IC1	3R	Q108	2P
IC2	4R	Q109	2O
IC3	6R	Q110	2P
IC4	2R	Q201	2N
IC5	2Q	Q202	2N
IC6	6P	Q203	2N
Q1	6P	Q204	2N
Q2	6Q	Q205	2N
Q3	6Q	Q206	2N
Q4	6Q	Q207	2N
Q5	6Q	Q208	2N
Q6	6P	Q209	2N
Q7	6P	Q210	2N
Q8	6P	Q301	3P
Q9	6P	Q302	3P
Q10	6P	Q303	3P
Q11	6P	Q304	4P
Q12	7O	Q307	3P
Q13	6Q	Q401	6L
Q14	6Q	Q402	6L
Q101	2O	Q403	6M
Q102	2P	Q404	6M
Q103	2O	Q405	6M
Q104	2P	Q406	6L
Q105	2O	Q407	6N
Q106	2P	Q408	5L
Q107	2O	Q409	6O



A.CH INPUT SENSITIVITY
A.CH HPF
B.CH HPF
B.CH INPUT SENSITIVITY
INPUT SELECTOR
LINE IN
SUB

X08 B/2

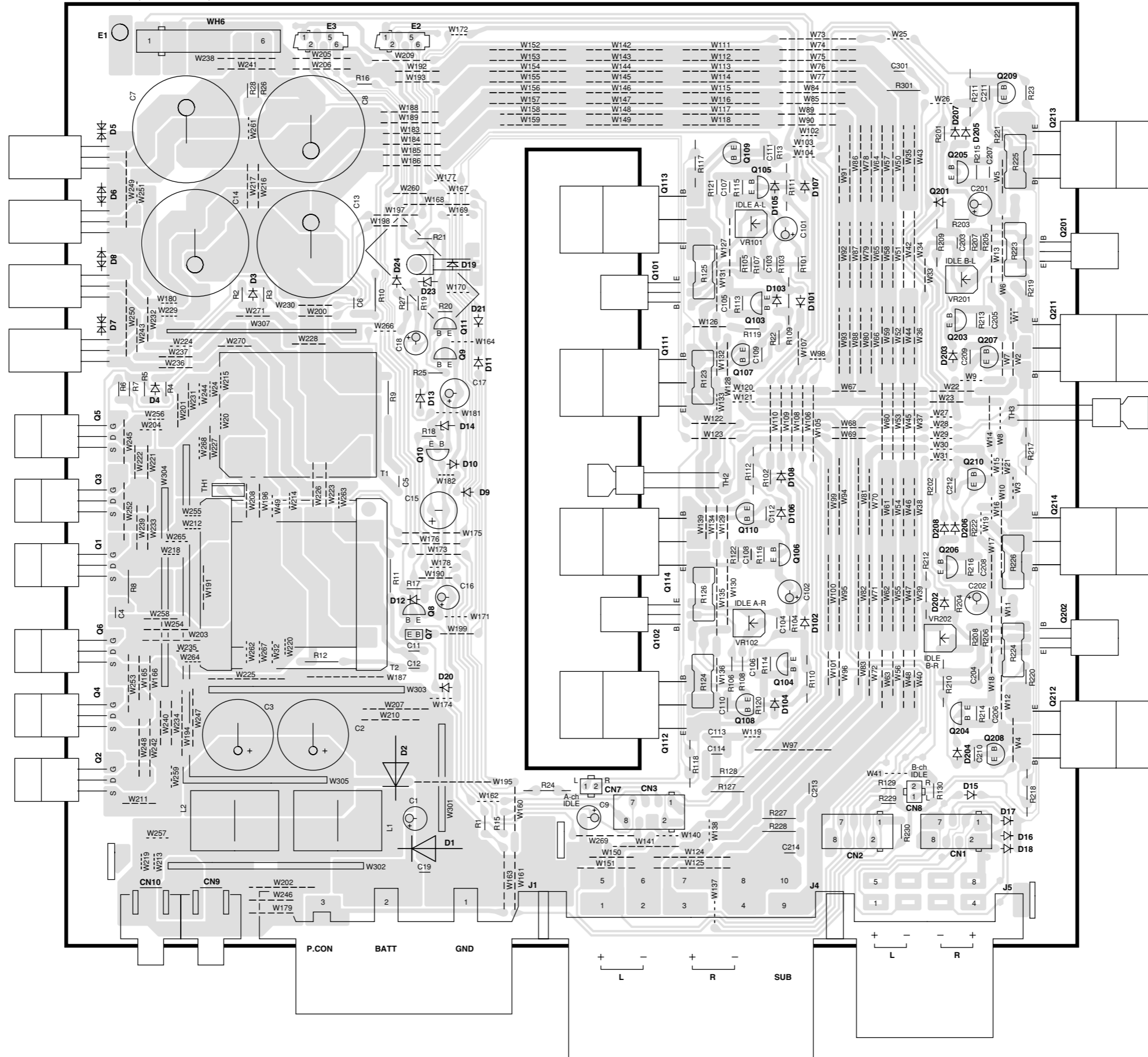


SUB.CH INPUT SENSITIVITY
OPERATION
INPUT SELECTOR
SUB
SUB.CH LPF FREQUENCY

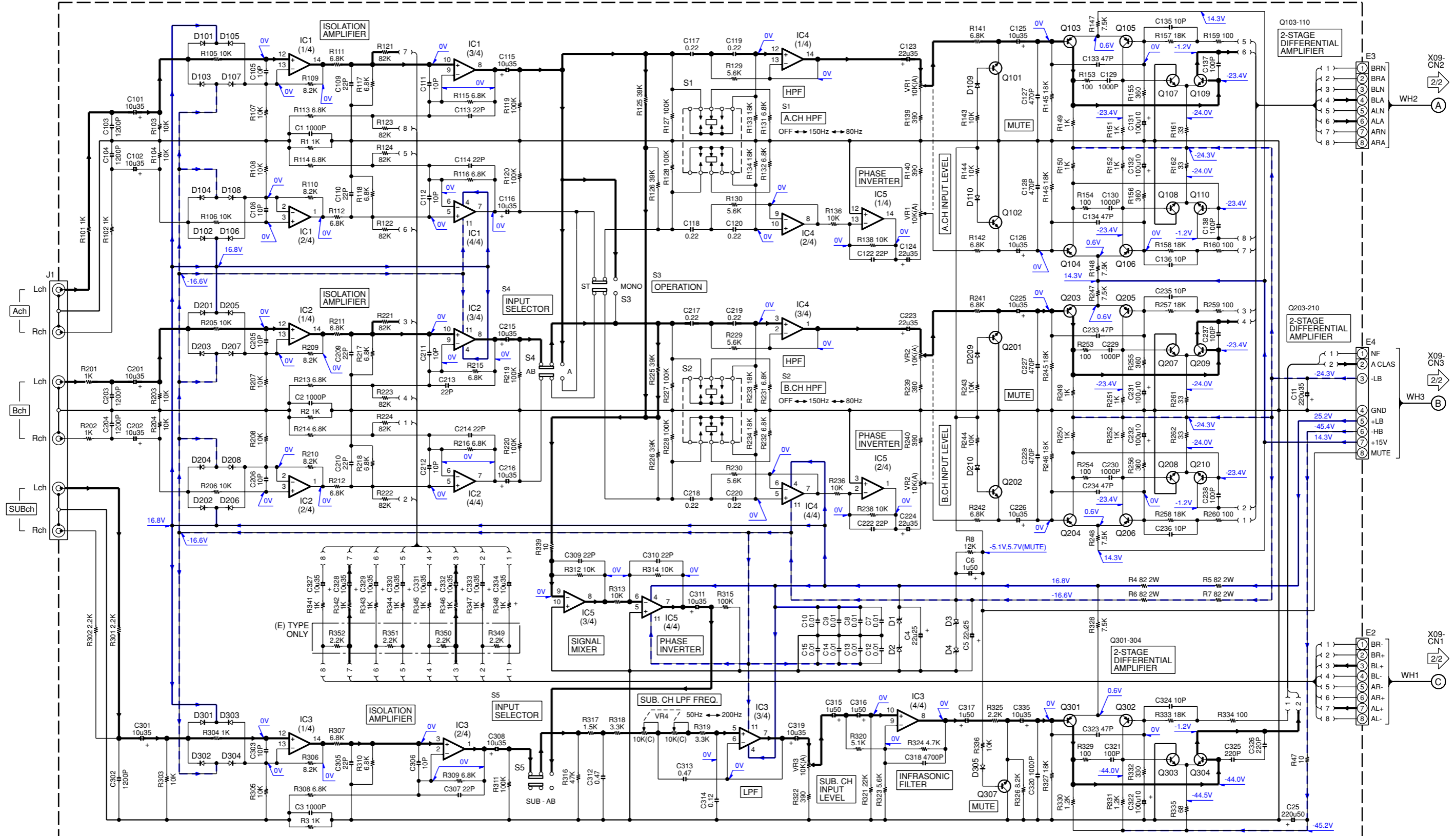
PC BOARD (Foil side view)

AUDIO UNIT
X09-5330-10 (J74-1032-21)

Ref.No.	Address
Q1	4AG
Q2	5AG
Q3	4AG
Q4	5AG
Q5	3AG
Q6	5AG
Q7	5AI
Q8	4AI
Q9	3AI
Q10	4AI
Q11	3AI
Q101	3AJ
Q102	5AJ
Q103	3AJ
Q104	5AK
Q105	2AJ
Q106	4AK
Q107	3AJ
Q108	5AJ
Q109	2AJ
Q110	4AJ
Q111	3AJ
Q112	5AJ
Q113	2AJ
Q114	4AJ
Q201	2AL
Q202	5AL
Q203	3AL
Q204	5AL
Q205	2AL
Q206	4AL
Q207	3AL
Q208	5AL
Q209	2AL
Q210	4AL
Q211	3AL
Q212	5AL
Q213	2AL
Q214	4AL



PRE AMPLIFIER UNIT
(X08-4080-10) (A/2)



R51	470	R52	470	R53	470	R54	470	R55	470	R56	470	R57	470	R58	470	R59	470	R60	470
-----	-----	-----	-----	-----	-----	-----	-----	-----	-----	-----	-----	-----	-----	-----	-----	-----	-----	-----	-----

— SIGNAL LINE
— GND LINE
— +B LINE
- - -B LINE

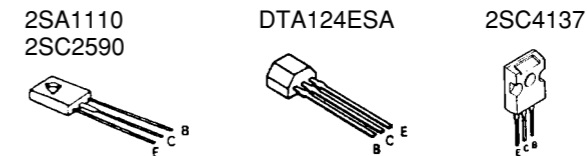
IC1-3,5 : UPC4574C
IC4 : NJM2058D

Q101,102,201,202,307 : 2SC945(A) (Q,P)
Q103-106,203-206,301,302 : 2SA733(A) (Q,P)
Q107-110,207-210,303,304 : 2SC1845(F,E)

D1-4 : RD8.2JS(B)
D101-110,201-210,301-305 : 1SS133

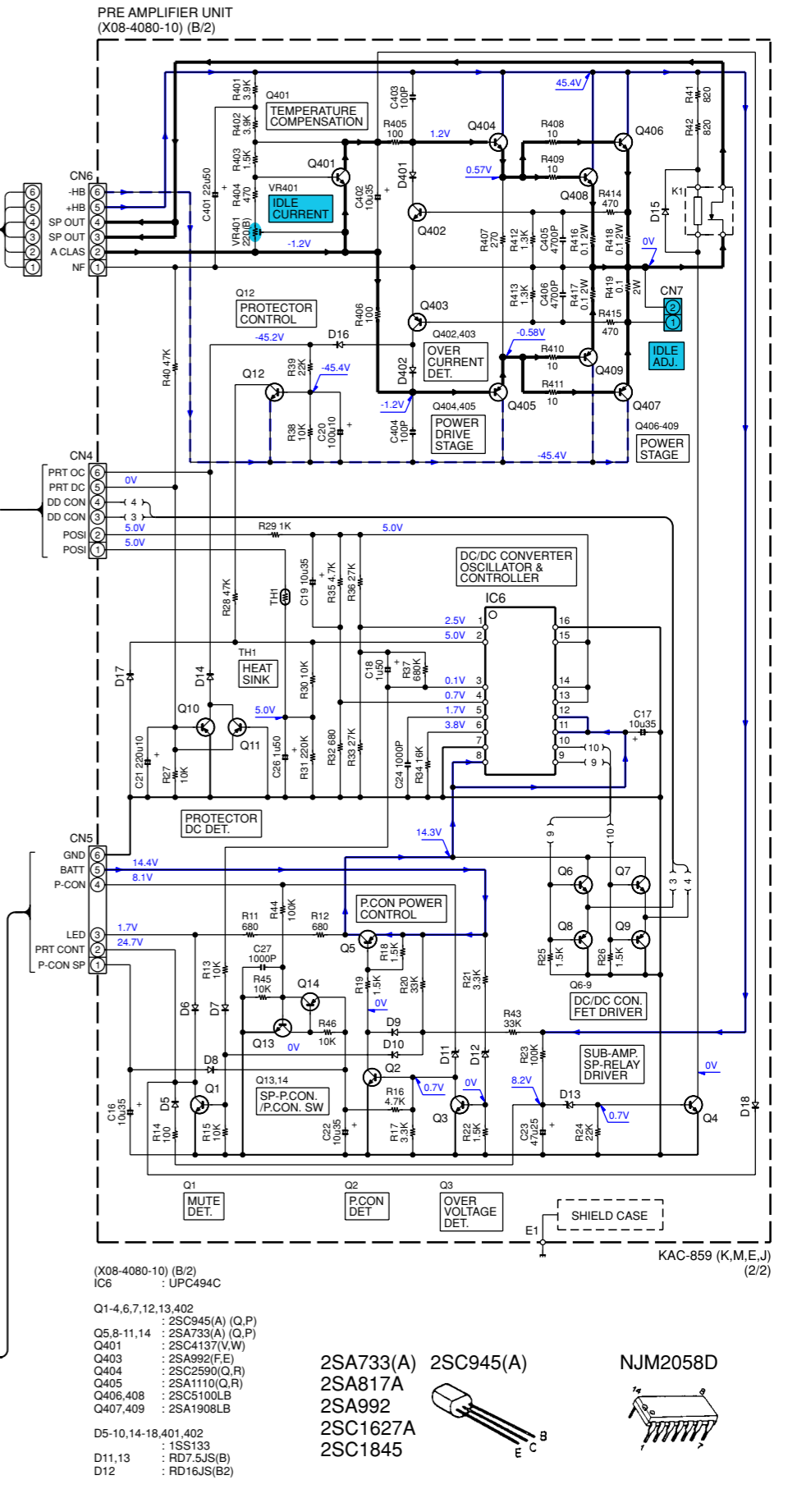
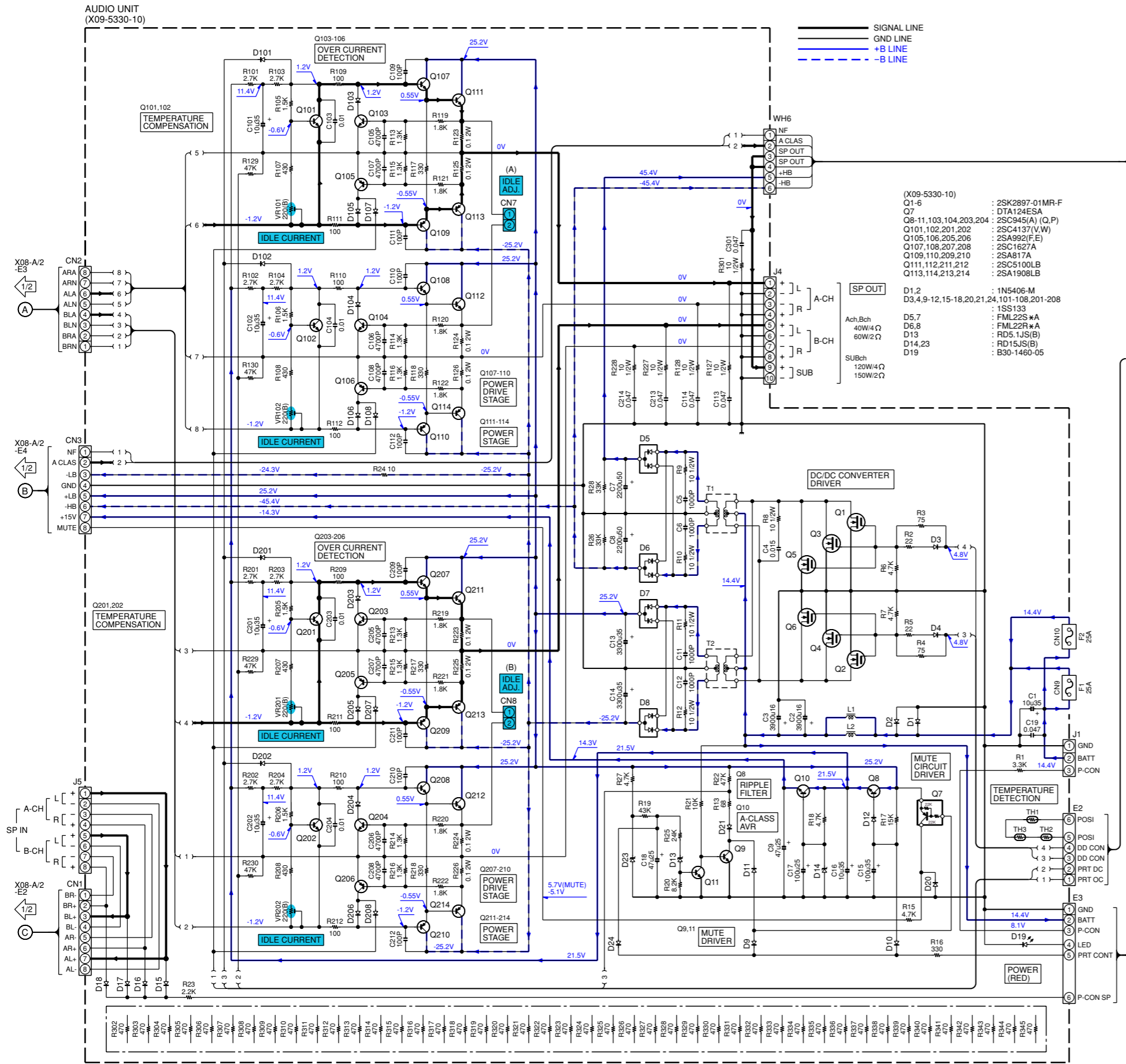
KAC-859 (K,M,E,J)
(1/2)

CAUTION: For continued safety, replace safety critical components only with manufacturer's recommended parts (refer to parts list). Δ indicates safety critical components. For continued protection against risk of fire, replace only with same type and rating fuse(s). To reduce the risk of electric shock, leakage-current or resistance measurements shall be carried out (exposed parts are acceptably insulated from the supply circuit) before the appliance is returned to the customer.



KAC-859

KENWOOD

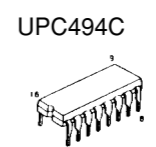
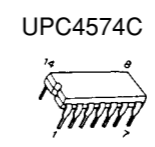
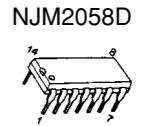


SIGNAL LINE
GND LINE
+B LINE
-B LINE

- (X09-5330-10)
- Q1-6 : 2SK2897-01MR-F
 - Q7 : DTA124ESA
 - Q8-11,103,104,203,204 : 2SC945(A) (Q,P)
 - Q101,102,201,202 : 2SC4137(V,W)
 - Q105,106,205,206 : 2SA992(F,E)
 - Q107,108,207,208 : 2SC1627A
 - Q109,110,209,210 : 2SA817A
 - Q111,112,211,212 : 2SC5100LB
 - Q113,114,213,214 : 2SA1908LB
- (X08-4080-10)
- D1,2 : 1N5406-M
 - D3,4,9-12,15-18,20,21,24,101-108,201-208 : 1SS133
 - D5,7 : FML22S*A
 - D6,8 : FML22R*A
 - D13 : RD5.1JS(B)
 - D14,23 : RD15JS(B)
 - D19 : B30-1460-05
- Ach/Bch : 40W/4Ω
60W/2Ω
- SUBch : 120W/4Ω
150W/2Ω

- (X08-4080-10) (B/2)
- IC6 : UPC494C
 - Q1-4,6,7,12,13,402 : 2SA733(A) (Q,P)
 - Q5,8-11,14 : 2SA733(A) (Q,P)
 - Q401 : 2SC4137(V,W)
 - Q403 : 2SA992(F,E)
 - Q404 : 2SC2590(Q,R)
 - Q405 : 2SA1110(Q,R)
 - Q406,408 : 2SC5100LB
 - Q407,409 : 2SA1908LB
- D5-10,14-18,401,402 : 1SS133
- D11,13 : RD7.5JS(B)
- D12 : RD16JS(B2)

- 2SA733(A)
- 2SA817A
- 2SA992
- 2SC1627A
- 2SC1845

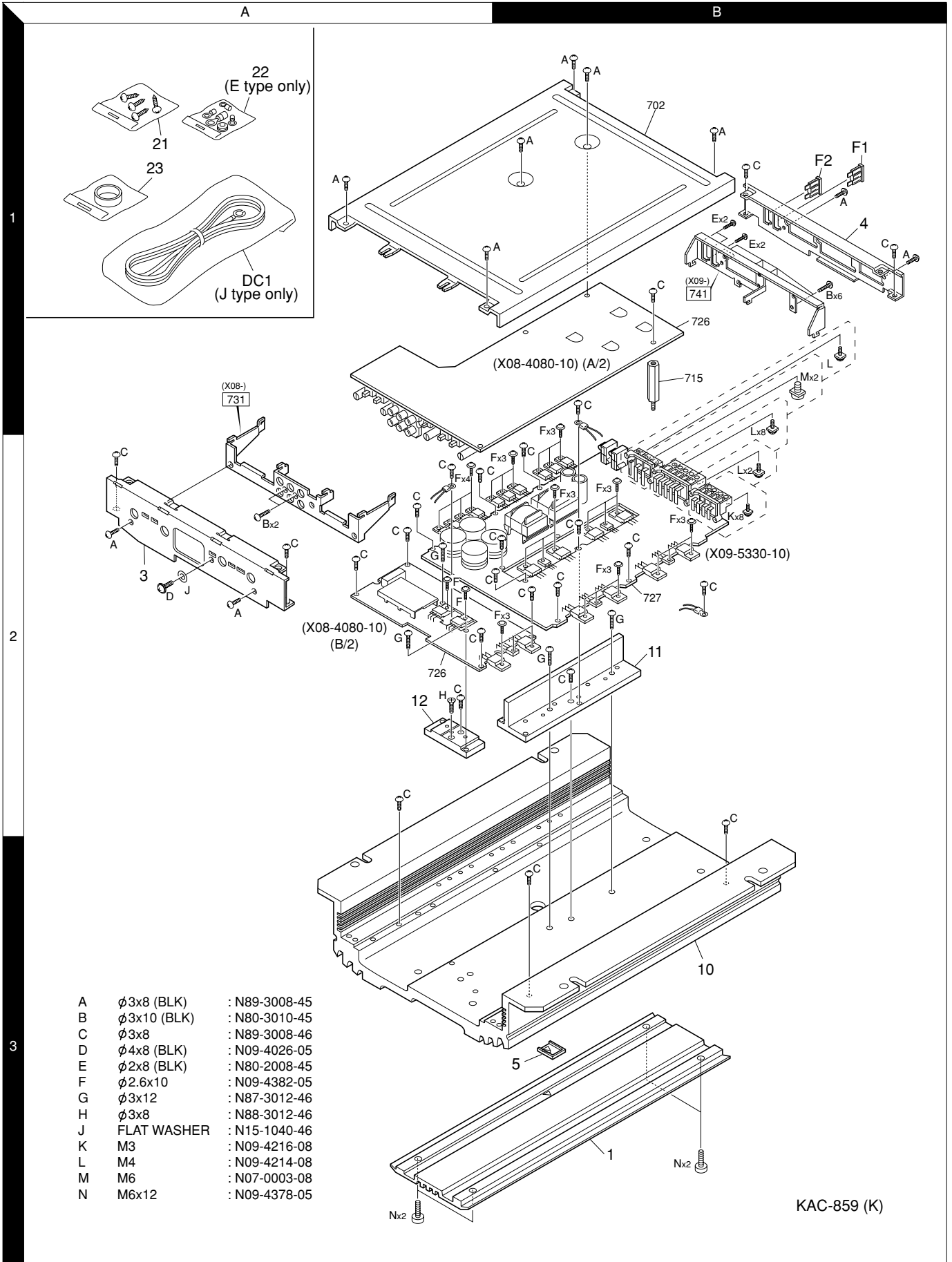


KAC-859

KENWOOD

CAUTION: For continued safety, replace safety critical components only with manufacturer's recommended parts (refer to parts list). Δ indicates safety critical components. For continued protection against risk of fire, replace only with same type and rating fuse(s). To reduce the risk of electric shock, leakage-current or resistance measurements shall be carried out (exposed parts are acceptably insulated from the supply circuit) before the appliance is returned to the customer.

EXPLODED VIEW



Parts with exploded numbers larger than 700 are not supplied.

PARTS LIST

* New Parts

Parts without **Parts No.** are not supplied.

Ref.No.	A d d	N e w	Parts No.	Description	Dest inati on
KAC-859					
1	3B	*	A21-4015-02	DRESSING PANEL	
3	2A	*	A64-1979-02	PANEL	
4	1B	*	A84-0229-02	REAR PANEL	
5	3B	*	B19-2024-04	LIGHTING BOARD	
-			B46-0100-50	WARRANTY CARD	E1M1K
-			B46-0191-03		J
-			B59-0090-00		J
-		*	B64-1662-00	INST.MANUAL (ENG,FRE,SPA)	K
-		*	B64-1663-00	INST.MANUAL (ENG,FRE,GER,DUT)	E1
-		*	B64-1663-00	INST.MANUAL (ITA,SPA,POR)	E1
-		*	B64-1664-00		J
-		*	B64-1665-00	INST.MANUAL (ENG,CHI)	M1
△ DC1	1A		E30-4341-05		J
10	3B	*	F01-1629-01	HEAT SINK	
11	2B	*	F01-1630-03	HEAT SINK	
12	2A	*	F01-1631-03	HEAT SINK	
△ F1,F2	1B	*	F52-0014-05	FUSE(BLADE TYPE) (25A)	
-			H10-4642-03	POLYSTYRENE FOAMED FIXTURE	
-			H10-4642-03		
-		*	H11-1521-04	POLYSTYRENE FORMED BOARD	
-		*	H11-1521-04		
-			H21-1117-04	PROTECTION SHEET	
-			H21-1117-04		
-			H25-0336-04	PROTECTION BAG (170X250X0.03)	
-			H25-0336-04	(170X250X0.03)	
-		*	H54-1648-03	ITEM CARTON CASE	
-		*	H54-1648-03		
21	1A		N99-1587-05	SCREW SET	
A	1B		N89-3008-45	BINDING HEAD TAPTITE SCREW	
C	2B		N89-3008-46	BINDING HEAD TAPTITE SCREW	
D	2A		N09-4026-05	TAPPING SCREW (4X8,TP,S)	
F	2B	*	N09-4382-05	TAPTITE SCREW (2.6X10)	
G	2B		N87-3012-46	BRAZIER HEAD TAPTITE SCREW	
H	2A	*	N88-3012-46	FLAT HEAD TAPTITE SCREW	
J	2A		N15-1040-46	FLAT WASHER (4)	
K	1B		N09-4216-08	SCREW	
L	1B		N09-4214-08	SCREW	
M	1B		N07-0003-08	SCREW	
N	3A	*	N09-4378-05	DRESSED SCREW (M6X12)	
△ 22	1A	*	W01-1530-05	LEAD TERMINAL SET	E1
23	1A	*	W01-1515-05	TERMINAL COVER SET	
PREAMPLIFIER UNIT(X08-4080-10)					
C1 -3			CF92FV1H102J	MF-C 1000PF	J
C4 ,5			CE04DW1E220M	ELECTRO 22UF 25WV	
C6			CE04DW1H010M	ELECTRO 1.0UF 50WV	
C7 -10			CK45FF1H103Z	CERAMIC 0.010UF	Z
C11			C90-2707-05	ELECTRO 220UF 35WV	
C12 -15			CK45FF1H103Z	CERAMIC 0.010UF	Z
C16 ,17			CE04NW1V100M	ELECTRO 10UF 35WV	
C18			CE04NW1H010M	ELECTRO 1.0UF 50WV	
C19			CE04NW1V100M	ELECTRO 10UF 35WV	

Ref.No.	A d d	N e w	Parts No.	Description	Dest inati on
C20			CE04DW1A101M	ELECTRO 100UF 10WV	
C21			CE04DW1A221M	ELECTRO 220UF 10WV	
C22			CE04NW1V100M	ELECTRO 10UF 35WV	
C23			CE04NW1E470M	ELECTRO 47UF 25WV	
C24			CF92FV1H102J	MF-C 1000PF	J
C25			C90-2726-05	ELECTRO 220UF 50WV	
C26			CE04NW1H010M	ELECTRO 1.0UF 50WV	
C27			CF92FV1H102J	MF-C 1000PF	J
C101,102			CE04DW1V100M	ELECTRO 10UF 35WV	
C103,104			CK45FB1H122K	CERAMIC 1200PF	K
C105,106			CC45FSL1H100D	CERAMIC 10PF	D
C109,110			CC45FSL1H220J	CERAMIC 22PF	J
C111,112			CC45FSL1H100D	CERAMIC 10PF	D
C113,114			CC45FSL1H220J	CERAMIC 22PF	J
C115,116			CE04DW1V100M	ELECTRO 10UF 35WV	
C117-120			CF92FV1H224J	MF-C 0.22UF	J
C122			CC45FSL1H220J	CERAMIC 22PF	J
C123,124			CE04DW1V220M	ELECTRO 22UF 35WV	
C125,126			CE04DW1V100M	ELECTRO 10UF 35WV	
C127,128			CC45FSL1H471J	CERAMIC 470PF	J
C129,130			CF92FV1H102J	MF-C 1000PF	J
C131,132			CE04DW1A101M	ELECTRO 100UF 10WV	
C133,134			CC45FSL1H470J	CERAMIC 47PF	J
C135,136			CC45FSL1H100D	CERAMIC 10PF	D
C137,138			CC45FSL1H101J	CERAMIC 100PF	J
C201,202			CE04DW1V100M	ELECTRO 10UF 35WV	
C203,204			CK45FB1H122K	CERAMIC 1200PF	K
C205,206			CC45FSL1H100D	CERAMIC 10PF	D
C209,210			CC45FSL1H220J	CERAMIC 22PF	J
C211,212			CC45FSL1H100D	CERAMIC 10PF	D
C213,214			CC45FSL1H220J	CERAMIC 22PF	J
C215,216			CE04DW1V100M	ELECTRO 10UF 35WV	
C217-220			CF92FV1H224J	MF-C 0.22UF	J
C222			CC45FSL1H220J	CERAMIC 22PF	J
C223,224			CE04DW1V220M	ELECTRO 22UF 35WV	
C225,226			CE04DW1V100M	ELECTRO 10UF 35WV	
C227,228			CC45FSL1H471J	CERAMIC 470PF	J
C229,230			CF92FV1H102J	MF-C 1000PF	J
C231,232			CE04DW1A101M	ELECTRO 100UF 10WV	
C233,234			CC45FSL1H470J	CERAMIC 47PF	J
C235,236			CC45FSL1H100D	CERAMIC 10PF	D
C237,238			CC45FSL1H101J	CERAMIC 100PF	J
C301			CE04DW1V100M	ELECTRO 10UF 35WV	
C302			CK45FB1H122K	CERAMIC 1200PF	K
C303			CC45FSL1H100D	CERAMIC 10PF	D
C305			CC45FSL1H220J	CERAMIC 22PF	J
C306			CC45FSL1H100D	CERAMIC 10PF	D
C307			CC45FSL1H220J	CERAMIC 22PF	J
C308			CE04DW1V100M	ELECTRO 10UF 35WV	
C309,310			CC45FSL1H220J	CERAMIC 22PF	J
C311			CE04DW1V100M	ELECTRO 10UF 35WV	
C312,313			CF92FV1H474J	MF-C 0.47UF	J
C314			CF92FV1H124J	MF-C 0.12UF	J
C315-317			CE04DW1H010M	ELECTRO 1.0UF 50WV	
C318			CF92FV1H472J	MF-C 4700PF	J

K : North America E1 : Europe J : Japan

M1 : Other Areas

△ indicates safety critical components.


PARTS LIST

* New Parts

Parts without Parts No. are not supplied.

Ref.No.	A d d	N e w	Parts No.	Description	Dest inati on	Ref.No.	A d d	N e w	Parts No.	Description	Dest inati on
C319			CE04DW1V100M	ELECTRO 10UF 35WV		R101,102			RD14BB2C102J	RD 1.0K J 1/6W	
C320			CF92FV1H102J	MF-C 1000PF J		R103-108			RD14BB2C103J	RD 10K J 1/6W	
C321			CC45FSL1H101J	CERAMIC 100PF J		R109,110			RD14BB2C822J	RD 8.2K J 1/6W	
C322			CE04DW1A101M	ELECTRO 100UF 10WV		R111-118			RD14BB2C682J	RD 6.8K J 1/6W	
C323			CC45FSL1H470J	CERAMIC 47PF J		R119,120			RD14BB2C104J	RD 100K J 1/6W	
C324			CC45FSL1H100D	CERAMIC 10PF D		R121-124			RD14BB2C823J	RD 82K J 1/6W	
C325,326			CC45FSL1H221J	CERAMIC 220PF J		R125,126			RD14BB2C393J	RD 39K J 1/6W	
C327-335			CE04DW1V100M	ELECTRO 10UF 35WV		R127,128			RD14BB2C104J	RD 100K J 1/6W	
C401			CE04DW1H220M	ELECTRO 22UF 50WV		R129,130			RD14BB2C562J	RD 5.6K J 1/6W	
C402			CE04DW1V100M	ELECTRO 10UF 35WV		R131,132			RD14BB2C682J	RD 6.8K J 1/6W	
C403,404			CC45FSL1H101J	CERAMIC 100PF J		R133,134			RD14BB2C183J	RD 18K J 1/6W	
C405,406			CF92FV1H472J	MF-C 4700PF J		R136			RD14BB2C103J	RD 10K J 1/6W	
CN4 ,5			E40-4296-05	FLAT CABLE CONNECTOR (6P)		R138			RD14BB2C103J	RD 10K J 1/6W	
CN6			E40-3668-05	PIN ASSY (6P)		R139,140			RD14BB2C391J	RD 390 J 1/6W	
CN7			E40-3640-05	PIN ASSY (2P)		R141,142			RD14BB2C682J	RD 6.8K J 1/6W	
J1			E63-0849-05	PIN JACK (6P)		R143,144			RD14BB2C103J	RD 10K J 1/6W	
B	2A		N80-3010-45	PAN HEAD TAPTITE SCREW		R145,146			RD14BB2C183J	RD 18K J 1/6W	
R1 -3			RD14BB2C102J	RD 1.0K J 1/6W		R147,148			RD14BB2C752J	RD 7.5K J 1/6W	
R4 -7			RS14KB3D820J	FL-PROOF RS 82 J 2W		R149-152			RD14BB2C102J	RD 1.0K J 1/6W	
R8			RD14BB2C123J	RD 12K J 1/6W		R153,154			RD14BB2C101J	RD 100 J 1/6W	
R11 ,12			RD14BB2C681J	RD 680 J 1/6W		R155,156			RD14BB2C361J	RD 360 J 1/6W	
R13			RD14BB2C103J	RD 10K J 1/6W		R157,158			RD14BB2C183J	RD 18K J 1/6W	
R14			RD14BB2C101J	RD 100 J 1/6W		R159,160			RD14BB2C101J	RD 100 J 1/6W	
R15			RD14BB2C103J	RD 10K J 1/6W		R161,162			RD14BB2C330J	RD 33 J 1/6W	
R16			RD14BB2C472J	RD 4.7K J 1/6W		R201,202			RD14BB2C102J	RD 1.0K J 1/6W	
R17			RD14BB2C332J	RD 3.3K J 1/6W		R203-208			RD14BB2C103J	RD 10K J 1/6W	
R18 ,19			RD14BB2C152J	RD 1.5K J 1/6W		R209,210			RD14BB2C822J	RD 8.2K J 1/6W	
R20			RD14BB2C333J	RD 33K J 1/6W		R211-218			RD14BB2C682J	RD 6.8K J 1/6W	
R21			RD14BB2C332J	RD 3.3K J 1/6W		R219,220			RD14BB2C104J	RD 100K J 1/6W	
R22			RD14BB2C152J	RD 1.5K J 1/6W		R221-224			RD14BB2C823J	RD 82K J 1/6W	
R23			RD14BB2C104J	RD 100K J 1/6W		R225,226			RD14BB2C393J	RD 39K J 1/6W	
R24			RD14BB2C223J	RD 22K J 1/6W		R227,228			RD14BB2C104J	RD 100K J 1/6W	
R25 ,26			RD14BB2C152J	RD 1.5K J 1/6W		R229,230			RD14BB2C562J	RD 5.6K J 1/6W	
R27			RD14BB2C103J	RD 10K J 1/6W		R231,232			RD14BB2C682J	RD 6.8K J 1/6W	
R28			RD14BB2C473J	RD 47K J 1/6W		R233,234			RD14BB2C183J	RD 18K J 1/6W	
R29			RD14BB2C102J	RD 1.0K J 1/6W		R236			RD14BB2C103J	RD 10K J 1/6W	
R30			RD14BB2C103J	RD 10K J 1/6W		R238			RD14BB2C103J	RD 10K J 1/6W	
R31			RD14BB2C224J	RD 220K J 1/6W		R239,240			RD14BB2C391J	RD 390 J 1/6W	
R32			RD14BB2C681J	RD 680 J 1/6W		R241,242			RD14BB2C682J	RD 6.8K J 1/6W	
R33			RD14BB2C273J	RD 27K J 1/6W		R243,244			RD14BB2C103J	RD 10K J 1/6W	
R34			RD14BB2C163J	RD 16K J 1/6W		R245,246			RD14BB2C183J	RD 18K J 1/6W	
R35			RD14BB2C472J	RD 4.7K J 1/6W		R247,248			RD14BB2C752J	RD 7.5K J 1/6W	
R36			RD14BB2C273J	RD 27K J 1/6W		R249-252			RD14BB2C102J	RD 1.0K J 1/6W	
R37			RD14BB2C684J	RD 680K J 1/6W		R253,254			RD14BB2C101J	RD 100 J 1/6W	
R38			RD14BB2C103J	RD 10K J 1/6W		R255,256			RD14BB2C361J	RD 360 J 1/6W	
R39			RD14BB2C223J	RD 22K J 1/6W		R257,258			RD14BB2C183J	RD 18K J 1/6W	
R40			RD14BB2C473J	RD 47K J 1/6W		R259,260			RD14BB2C101J	RD 100 J 1/6W	
R41 ,42			RD14BB2C821J	RD 820 J 1/6W		R261,262			RD14BB2C330J	RD 33 J 1/6W	
R43			RD14BB2C333J	RD 33K J 1/6W		R301,302			RD14BB2C222J	RD 2.2K J 1/6W	
R44			RD14BB2C104J	RD 100K J 1/6W		R303			RD14BB2C103J	RD 10K J 1/6W	
R45 ,46			RD14BB2C103J	RD 10K J 1/6W		R304			RD14BB2C102J	RD 1.0K J 1/6W	
R47			RD14NB2E100J	RD 10 J 1/4W		R305			RD14BB2C103J	RD 10K J 1/6W	
R51 -60			RD14BB2E471J	RD 470 J 1/4W		R306			RD14BB2C822J	RD 8.2K J 1/6W	
						R307-310			RD14BB2C682J	RD 6.8K J 1/6W	
						R311			RD14BB2C104J	RD 100K J 1/6W	

K : North America E1: Europe J: Japan
M1: Other Areas

 indicates safety critical components.


PARTS LIST

* New Parts
Parts without Parts No. are not supplied.

Ref.No.	A d d	N e w	Parts No.	Description	Dest inati on
R312-314			RD14BB2C103J	RD 10K J 1/6W	
R315			RD14BB2C104J	RD 100K J 1/6W	
R316			RD14BB2C473J	RD 47K J 1/6W	
R317			RD14BB2C152J	RD 1.5K J 1/6W	
R318,319			RD14BB2C332J	RD 3.3K J 1/6W	
R320			RD14BB2C512J	RD 5.1K J 1/6W	
R321			RD14BB2C223J	RD 22K J 1/6W	
R322			RD14BB2C391J	RD 390 J 1/6W	
R323			RD14BB2C562J	RD 5.6K J 1/6W	
R324			RD14BB2C472J	RD 4.7K J 1/6W	
R325			RD14BB2C222J	RD 2.2K J 1/6W	
R326			RD14BB2C822J	RD 8.2K J 1/6W	
R327			RD14BB2C183J	RD 18K J 1/6W	
R328			RD14BB2C752J	RD 7.5K J 1/6W	
R329			RD14BB2C101J	RD 100 J 1/6W	
R330,331			RD14BB2C122J	RD 1.2K J 1/6W	
R332			RD14BB2C331J	RD 330 J 1/6W	
R333			RD14BB2C183J	RD 18K J 1/6W	
R334			RD14BB2C101J	RD 100 J 1/6W	
R335			RD14BB2C680J	RD 68 J 1/6W	
R336			RD14BB2C103J	RD 10K J 1/6W	
R339			RD14BB2C100J	RD 10 J 1/6W	
R341-348			RD14BB2C102J	RD 1.0K J 1/6W	
R349-352			RD14BB2C222J	RD 2.2K J 1/6W	
R401,402			RD14BB2C392J	RD 3.9K J 1/6W	
R403			RD14BB2C152J	RD 1.5K J 1/6W	
R404			RD14BB2C471J	RD 470 J 1/6W	
R405,406			RD14NB2E101J	RD 100 J 1/4W	
R407			RD14NB2E271J	RD 270 J 1/4W	
R408-411			RD14NB2E100J	RD 10 J 1/4W	
R412,413			RD14BB2C132J	RD 1.3K J 1/6W	
R414,415			RD14BB2C471J	RD 470 J 1/6W	
R416-419			R92-2115-05	METAL FILM 0.1 J 2W	
VR1 -3			R31-0223-05	VARIABLE RESISTOR (10K,A)	
VR4		*	R31-0229-05	VARIABLE RESISTOR (10K,C)	
VR401			R32-0030-05	SEMI FIXED VAR.RESISTOR (220)	
K1		*	S76-0810-05	MAGNETIC RELAY	
S1 ,2			S31-2630-05	SLIDE SWITCH	
S3			S62-0845-05	SLIDE SWITCH	
S4			S62-0842-05	SLIDE SWITCH	
S5			S62-0845-05	SLIDE SWITCH	
D1 -4			RD8.2JS(B)	ZENER DIODE	
D5 -10			1SS133	DIODE	
D11			RD7.5JS(B)	ZENER DIODE	
D12			RD16JS(B2)	ZENER DIODE	
D13			RD7.5JS(B)	ZENER DIODE	
D14 -18			1SS133	DIODE	
D101-110			1SS133	DIODE	
D201-210			1SS133	DIODE	
D301-305			1SS133	DIODE	
D401,402			1SS133	DIODE	
IC1 -3			UPC4574C	IC(OP AMP X4)	
IC4			NJM2058D	IC(OP AMP X4)	
IC5			UPC4574C	IC(OP AMP X4)	

Ref.No.	A d d	N e w	Parts No.	Description	Dest inati on
IC6			UPC494C	IC(SWITCHING REGULATOR)	
Q1 -4			2SC945(A)(Q,P)	TRANSISTOR	
Q5			2SA733(A)(Q,P)	TRANSISTOR	
Q6 ,7			2SC945(A)(Q,P)	TRANSISTOR	
Q8 -11			2SA733(A)(Q,P)	TRANSISTOR	
Q12 ,13			2SC945(A)(Q,P)	TRANSISTOR	
Q14			2SA733(A)(Q,P)	TRANSISTOR	
Q101,102			2SC945(A)(Q,P)	TRANSISTOR	
Q103-106			2SA733(A)(Q,P)	TRANSISTOR	
Q107-110			2SC1845(F,E)	TRANSISTOR	
Q201,202			2SC945(A)(Q,P)	TRANSISTOR	
Q203-206			2SA733(A)(Q,P)	TRANSISTOR	
Q207-210			2SC1845(F,E)	TRANSISTOR	
Q301,302			2SA733(A)(Q,P)	TRANSISTOR	
Q303,304			2SC1845(F,E)	TRANSISTOR	
Q307			2SC945(A)(Q,P)	TRANSISTOR	
Q401			2SC4137(V,W)	TRANSISTOR	
Q402			2SC945(A)(Q,P)	TRANSISTOR	
Q403			2SA992(F,E)	TRANSISTOR	
Q404			2SC2590(Q,R)	TRANSISTOR	
Q405			2SA1110(Q,R)	TRANSISTOR	
Q406			2SC5100LB	TRANSISTOR	
Q407			2SA1908LB	TRANSISTOR	
Q408			2SC5100LB	TRANSISTOR	
Q409			2SA1908LB	TRANSISTOR	
TH1			PTH9M04BD222T	POSITIVE RESISTOR	
AMPLIFIER UNIT(X09-5330-10)					
D19			B30-1460-05	LED(RED)	
C1			CE04DW1V100M	ELECTRO 10UF 35WV	
C2 ,3			C90-2921-05	ELECTRO 3900UF 16WV	
C4			CF92FV1H153J	MF-C 0.015UF J	
C5 ,6			CF92FV1H102J	MF-C 1000PF J	
C7 ,8		*	C90-5306-05	ELECTRO 2200UF 50WV	
C9			CE04DW1E470M	ELECTRO 47UF 25WV	
C11 ,12			CF92FV1H102J	MF-C 1000PF J	
C13 ,14			C90-1616-05	ELECTRO 3300UF 35WV	
C15			CE04DW1V101M	ELECTRO 100UF 35WV	
C16			CE04DW1V100M	ELECTRO 10UF 35WV	
C17			CE04DW1E101M	ELECTRO 100UF 25WV	
C18			CE04DW1E470M	ELECTRO 47UF 25WV	
C19			CF92FV1H473J	MF-C 0.047UF J	
C101,102			CE04DW1V100M	ELECTRO 10UF 35WV	
C103,104			CF92FV1H103J	MF-C 0.010UF J	
C105-108			CF92FV1H472J	MF-C 4700PF J	
C109-112			CC45FSL1H101J	CERAMIC 100PF J	
C113,114			CF92FV1H473J	MF-C 0.047UF J	
C201,202			CE04DW1V100M	ELECTRO 10UF 35WV	
C203,204			CF92FV1H103J	MF-C 0.010UF J	
C205-208			CF92FV1H472J	MF-C 4700PF J	
C209-212			CC45FSL1H101J	CERAMIC 100PF J	
C213,214			CF92FV1H473J	MF-C 0.047UF J	
C301			CF92FV1H473J	MF-C 0.047UF J	
CN1 -3			E40-4233-05	FLAT CABLE CONNECTOR (8P)	

K : North America E1: Europe J: Japan
M1: Other Areas

 indicates safety critical components.

PARTS LIST

* New Parts

Parts without **Parts No.** are not supplied.

Ref.No.	A d d	N e w	Parts No.	Description	Dest inati on
CN7 ,8			E40-3640-05	PIN ASSY (2P)	
J1		*	E70-0828-05	SCREW TERMINAL BOARD (3P)	
J4		*	E70-0829-05	SCREW TERMINAL BOARD (10P)	
J5			E70-0821-05	SCREW TERMINAL BOARD (8P)	
WH6		*	E39-0339-05	WIRING HARNESS (6P)	
△ CN9 ,10			J13-0602-05	FUSE HOLDER (2P)	
L1 ,2			L33-1032-05	CHOKO COIL	
T1		*	L19-0589-05	TRANSFORMER FOR CONVERTER	
T2		*	L19-0588-05	TRANSFORMER FOR CONVERTER	
B	1B		N80-3010-45	PAN HEAD TAPTITE SCREW	
E	1B		N80-2008-45	PAN HEAD TAPTITE SCREW	
R1			RD14BB2C332J	RD 3.3K J 1/6W	
R2			RD14BB2C220J	RD 22 J 1/6W	
R3 ,4			RD14BB2C750J	RD 75 J 1/6W	
R5			RD14BB2C220J	RD 22 J 1/6W	
R6 ,7			RD14BB2C472J	RD 4.7K J 1/6W	
R8 -12			RD14DB2H100J	SMALL-R D 10 J 1/2W	
R13			RD14BB2C680J	RD 68 J 1/6W	
R15			RD14BB2C472J	RD 4.7K J 1/6W	
R16			RD14BB2C331J	RD 330 J 1/6W	
R17			RD14BB2C153J	RD 15K J 1/6W	
R18			RD14BB2C472J	RD 4.7K J 1/6W	
R19			RD14BB2C433J	RD 43K J 1/6W	
R20			RD14BB2C822J	RD 8.2K J 1/6W	
R21			RD14BB2C103J	RD 10K J 1/6W	
R22			RD14BB2C473J	RD 47K J 1/6W	
R23			RD14BB2C222J	RD 2.2K J 1/6W	
R24			RD14NB2E100J	RD 10 J 1/4W	
R25			RD14BB2C243J	RD 24K J 1/6W	
R26			RD14BB2C333J	RD 33K J 1/6W	
R27			RD14BB2C472J	RD 4.7K J 1/6W	
R28			RD14BB2C333J	RD 33K J 1/6W	
R101-104			RD14BB2C272J	RD 2.7K J 1/6W	
R105,106			RD14BB2C152J	RD 1.5K J 1/6W	
R107,108			RD14BB2C431J	RD 430 J 1/6W	
R109-112			RD14NB2E101J	RD 100 J 1/4W	
R113-116			RD14BB2C132J	RD 1.3K J 1/6W	
R117,118			RD14NB2E331J	RD 330 J 1/4W	
R119-122			RD14BB2C182J	RD 1.8K J 1/6W	
R123-126			R92-2115-05	METAL F ILM 0.1J 2W	
R127,128			RD14DB2H100J	SMALL-R D 10 J 1/2W	
R129,130			RD14BB2C473J	RD 47K J 1/6W	
R201-204			RD14BB2C272J	RD 2.7K J 1/6W	
R205,206			RD14BB2C152J	RD 1.5K J 1/6W	
R207,208			RD14BB2C431J	RD 430 J 1/6W	
R209-212			RD14NB2E101J	RD 100 J 1/4W	
R213-216			RD14BB2C132J	RD 1.3K J 1/6W	
R217,218			RD14NB2E331J	RD 330 J 1/4W	
R219-222			RD14BB2C182J	RD 1.8K J 1/6W	
R223-226			R92-2115-05	METAL F ILM 0.1J 2W	
R227,228			RD14DB2H100J	SMALL-R D 10 J 1/2W	
R229,230			RD14BB2C473J	RD 47K J 1/6W	
R301			RD14DB2H100J	SMALL-R D 10 J 1/2W	

Ref.No.	A d d	N e w	Parts No.	Description	Dest inati on
R302-345			RD14BB2E471J	RD 470 J 1/4W	
VR101,102			R32-0030-05	SEMI FIXED VAR.RESISTOR (220)	
VR201,202			R32-0030-05	SEMI FIXED VAR.RESISTOR (220)	
D1 ,2			1N5406-M	DIODE	
D3 ,4			1SS133	DIODE	
D5			FML22S*A	DIODE	
D6			FML22R*A	DIODE	
D7			FML22S*A	DIODE	
D8			FML22R*A	DIODE	
D9 -12			1SS133	DIODE	
D13			RD5.1JS(B)	ZENER DIODE	
D14			RD15JS(B)	ZENER DIODE	
D15 -18			1SS133	DIODE	
D20 ,21			1SS133	DIODE	
D23			RD15JS(B)	ZENER DIODE	
D24			1SS133	DIODE	
D101-108			1SS133	DIODE	
D201-208			1SS133	DIODE	
Q1 -6		*	2SK2897-01MR-F	FET	
Q7			DTA124ESA	DIGITAL TRANSISTOR	
Q8 -11			2SC945(A)(Q,P)	TRANSISTOR	
Q101,102			2SC4137(V,W)	TRANSISTOR	
Q103,104			2SC945(A)(Q,P)	TRANSISTOR	
Q105,106			2SA992(F,E)	TRANSISTOR	
Q107,108			2SC1627A	TRANSISTOR	
Q109,110			2SA817A	TRANSISTOR	
Q111,112			2SC5100LB	TRANSISTOR	
Q113,114			2SA1908LB	TRANSISTOR	
Q201,202			2SC4137(V,W)	TRANSISTOR	
Q203,204			2SC945(A)(Q,P)	TRANSISTOR	
Q205,206			2SA992(F,E)	TRANSISTOR	
Q207,208			2SC1627A	TRANSISTOR	
Q209,210			2SA817A	TRANSISTOR	
Q211,212			2SC5100LB	TRANSISTOR	
Q213,214			2SA1908LB	TRANSISTOR	
TH1			PTH9L04BD222TS	POSITIVE RESISTOR	
TH2 ,3			PTH9M04BD222T	POSITIVE RESISTOR	

K : North America E1: Europe J: Japan

M1: Other Areas

△ indicates safety critical components.

SPECIFICATIONS

SPECIFICATIONS

Audio Section

Max Power Output(4Ω)	
5-channel Mode	80W X 4 + 240W X 1
4-channel Mode	80W X 2 + 240W X 1 + 240W X 1
3-channel Mode	80W X 2 + 240W X 1 + 240W X 1
Rated Power Output(+B=14.4V)(4Ω)	
5-channel Mode	40W X 4 + 120W X 1 (DIN 45324)
5-channel Mode	40W X 4 + 120W X 1 (20Hz~20kHz, less than 0.08% THD) + (20Hz~200Hz, less than 0.08% THD)
4-channel Mode	40W X 2 + 120W X 1 + 120W X 1 (1kHz, 0.08% THD) + (1kHz, 0.8% THD) + (100Hz, 0.08% THD)
3-channel Mode	120W X 2 + 120W X 1 (1kHz, 0.8% THD) + (100Hz, 0.08% THD)
Rated Power Output(+B=14.4V)(2Ω)	
5-channel Mode	60W X 4 + 150W X 1 (1kHz, 0.8% THD) + (100Hz, 0.8% THD)
Frequency Response (0dB, -3dB)	5Hz ~ 50kHz
Signal to Noise Ratio.....	100dB
Sensitivity (Max.)	0.2V(Rated Output)
Sensitivity (Min.)	5.0V(Rated Output)
Input Impedance	10kΩ
High-Pass Filter (A, B channel)	80Hz, 150Hz(12dB/oct.)
Low-Pass Filter (SUB channel)	50Hz ~ 200Hz(18dB/oct.)
Infrasonic Filter (SUB channel).....	15Hz(18dB/oct.)

General

Operating Voltage	14.4V(11V ~ 16V allowable)
Current consumption (Rated Power).....	48A
Dimensions (W X H X D)	290 x 60 x 320 mm (11-7/16 x 2-3/8 x 12-5/8 inch)
Weight	5.42kg

KENWOOD follows a policy of continuous advancements in development. For this reason specifications may be changed without notice.
